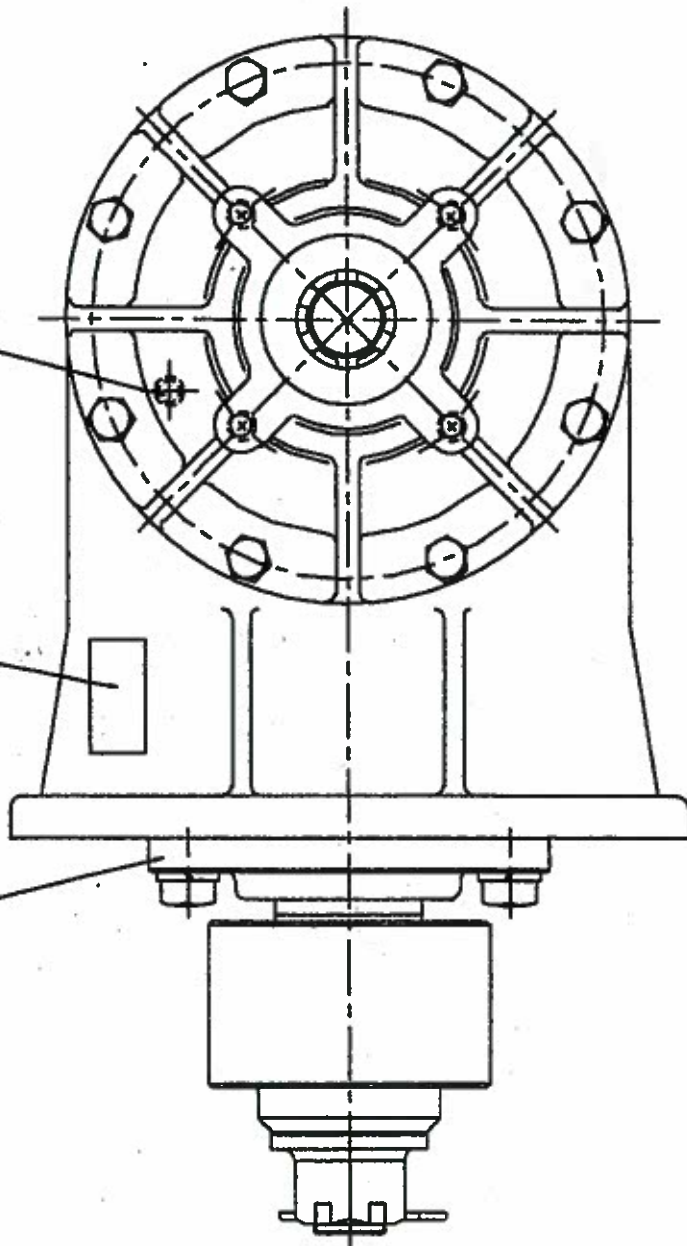


RC 61

1:1.21

7"



32	210001	1	BLADE HUB
31	200003	1	RETAINING RING
30	190028	1	I.D. TAG
29	140033	1	PLUG-PRESS RELIEF, 1/2"-14NPTF
28	140017	1	PLUG-PIPE, 1/8"-27NPTF
27	130003	4	LOCK WASHER 1/2"
26	130002	8	LOCK WASHER 3/8"
25	120050	1	NUT
24	110002	4	HEX CAPSCREW 1/2"-13UNCx1 1/2"
23	110001	8	HEX CAPSCREW 3/8"-16UNCx1 1/4"
22	100001	1	COTTER PIN, 5x50
21	090015	1	SPACER
20	070145	1-A/R	GASKET, 0.10mm
19	070144	1-A/R	GASKET, 0.15mm
18	070143	1-A/R	GASKET, 0.30mm
17	070142	1-A/R	GASKET, 0.10mm
16	070141	1-A/R	GASKET, 0.15mm
15	070140	1-A/R	GASKET, 0.30mm
14	060005	1	SEAL, INPUT
13	060005	1	SEAL, OUTPUT
12	050015	1	BEARING CUP-362
11	050014	1	BEARING CUP-362A
10	050013	2	BEARING CUP-LMB03014
9	050012	2	BEARING CONE-LM603049
8	050008	2	BEARING CONE-368
7	040135	1	SHAFT, INPUT
6	040112	1	SHAFT, OUTPUT
5	030041	1	PINION, 14T
4	030040	1	GEAR, 17T
3	020162	1	CAP, THROUGH
2	020005	1	CAP, OUTPUT
1	010112	1	HOUSING

DET PART # QTY. DESCRIPTION

250374

OMNI GEAR

TITLE ASSEMBLY
RC-61 SERIES
(1:1.21)

DRAWN BY
GSI

APPROVED BY

DATE
FIR 11-10-01

