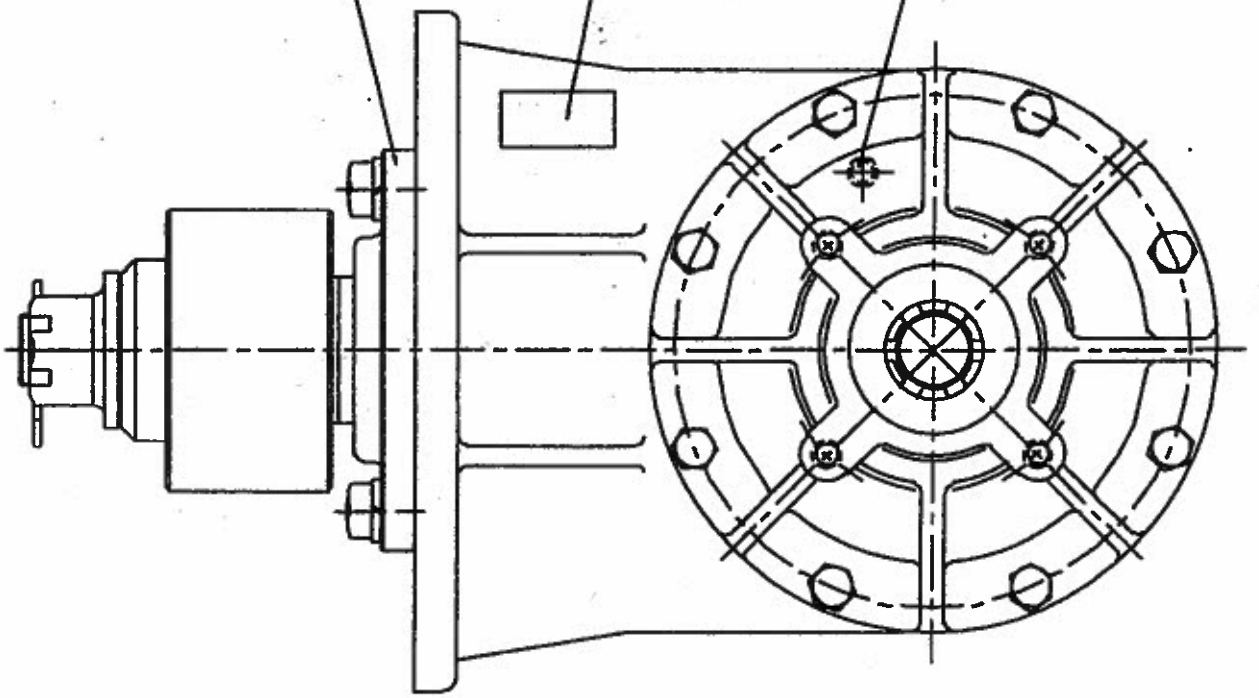


RC 61
11/12/21
7



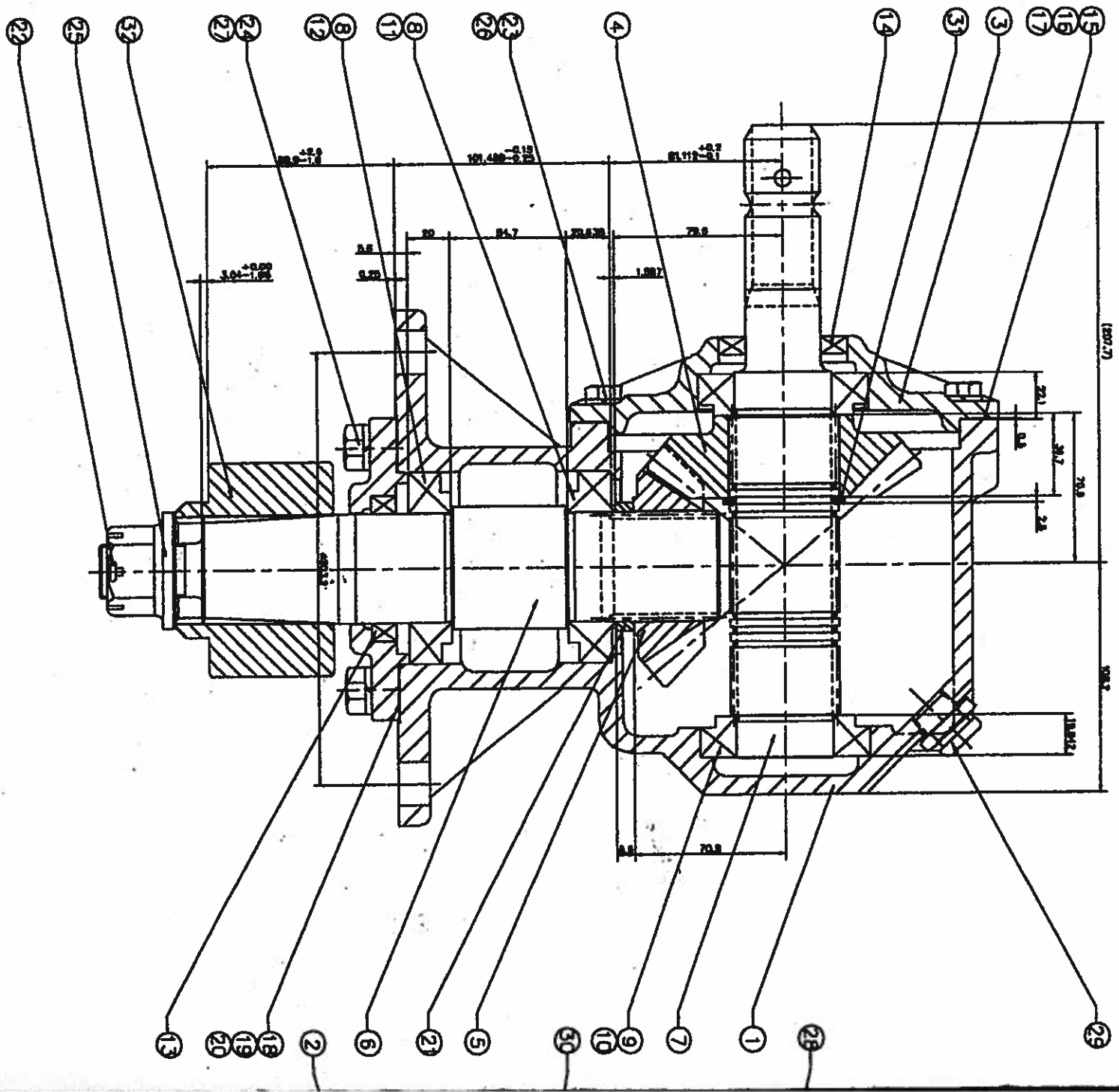
QTY.	DESCRIPTION
1	BLADE HUB
1	RETAINING RING
1	L.O. TAG
1	PLUG-PIECE, 1/2"-14NPT
1	PLUG-PIPE, 1/8"-27NPT
4	LOCK WASHER 1/2"
8	LOCK WASHER 3/8"
1	NUT
4	HEX CAPSCREW 1/2"-13NCH 1/2"
8	HEX CAPSCREW 3/8"-18NCH 1/2"
1	COTTER PIN, 5x30
1	SPACER
1	1-A/R GASKET, 0.10mm
1	1-A/R GASKET, 0.15mm
1	1-A/R GASKET, 0.30mm
1	1-A/R GASKET, 0.10mm
1	1-A/R GASKET, 0.15mm
1	1-A/R GASKET, 0.30mm
1	SEAL, INPUT
1	SEAL, OUTPUT
1	BEARING CLIP-382
1	BEARING CLIP-382A
2	BEARING CLIP-LM603014
2	BEARING CONE-LM603049
2	BEARING CONE-388
1	SHAFT, INPUT
1	SHAFT, OUTPUT
1	PISTON, 14T
1	GEAR, 17T
1	CAP. THROUGH
1	CAP. OUTPUT
1	HOUSING

OMNI GEAR

TITLE ASSEMBLY
RC-61 SERIES
(1:1.24)

DRAWN BY
GHT
APPROVED BY
DATE

250374



RC 61
 11.217