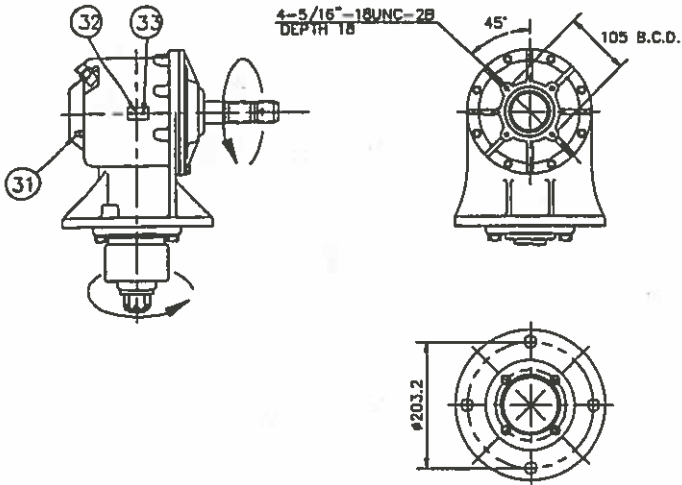


5' 6" 60HP SPLINE

6-1-07\ISO GCTRI.125-1250372-s.dwg

REVISIONS

SYMBOLS	DESCRIPTION	DATE & APPROVAL
---------	-------------	-----------------



36	090173	VAR	SHIM 66x79x0.10
35	090174	VAR	SHIM 66x79x0.15
34	090175	VAR	SHIM 66x79x0.30
33	240001	2	RIVET
32	190028	1	I.D. TAG
31	140017	1	PIPE PLUG, 1/8"-27NPTF
30	100001	1	COTTER PIN- 5x50
29	120050	1	NUT
28	210015	1	BLADE HUB
27	110191	4	CAP SCREW M14x35
26	130104	4	M14 LOCKWASHER
25	020005	1	OUTPUT CAP
24	060004	1	SEAL- ø68.4x50.8x12.7
23	070145	VAR	GASKET 0.10
22	070144	VAR	GASKET 0.15
21	070143	VAR	GASKET 0.30
20	130060	8	M10 LOCKWASHER
19	110190	8	CAP SCREW M10x30
18	020162	1	INPUT CAP
17	060005	1	SEAL- ø60.5x34.9x7.9
16	070142	VAR	GASKET- 0.10
15	070141	VAR	GASKET- 0.15
14	070140	VAR	GASKET- 0.30
13	200003	1	RET. RING
12	140033	1	PLUG 1/2"
11	050013	2	BEARING CUP- LM603014
10	050012	2	BEARING CONE- LM603049
9	040135	1	INPUT SHAFT
8	090055	1	SPACER
7	030039	1	INPUT GEAR- 19T
6	030038	1	OUTPUT GEAR- 13T
5	050014	1	BEARING CUP- 362A
4	050008	2	BEARING CONE- 368
3	050015	1	BEARING CUP- 362
2	040112	1	OUTPUT SHAFT
1	010112	1	HOUSING

DET PART NO. QTY DESCRIPTION

OMNI GEAR®

ASSEMBLY, 1:1.46 STD.
 INPUT- 1 3/8-6A
 OUTPUT- STD. HUB
 RC-61 SERIES

DRAWN BY
 ZHH
 APPROVED BY
 DATE
 19 AUG 99

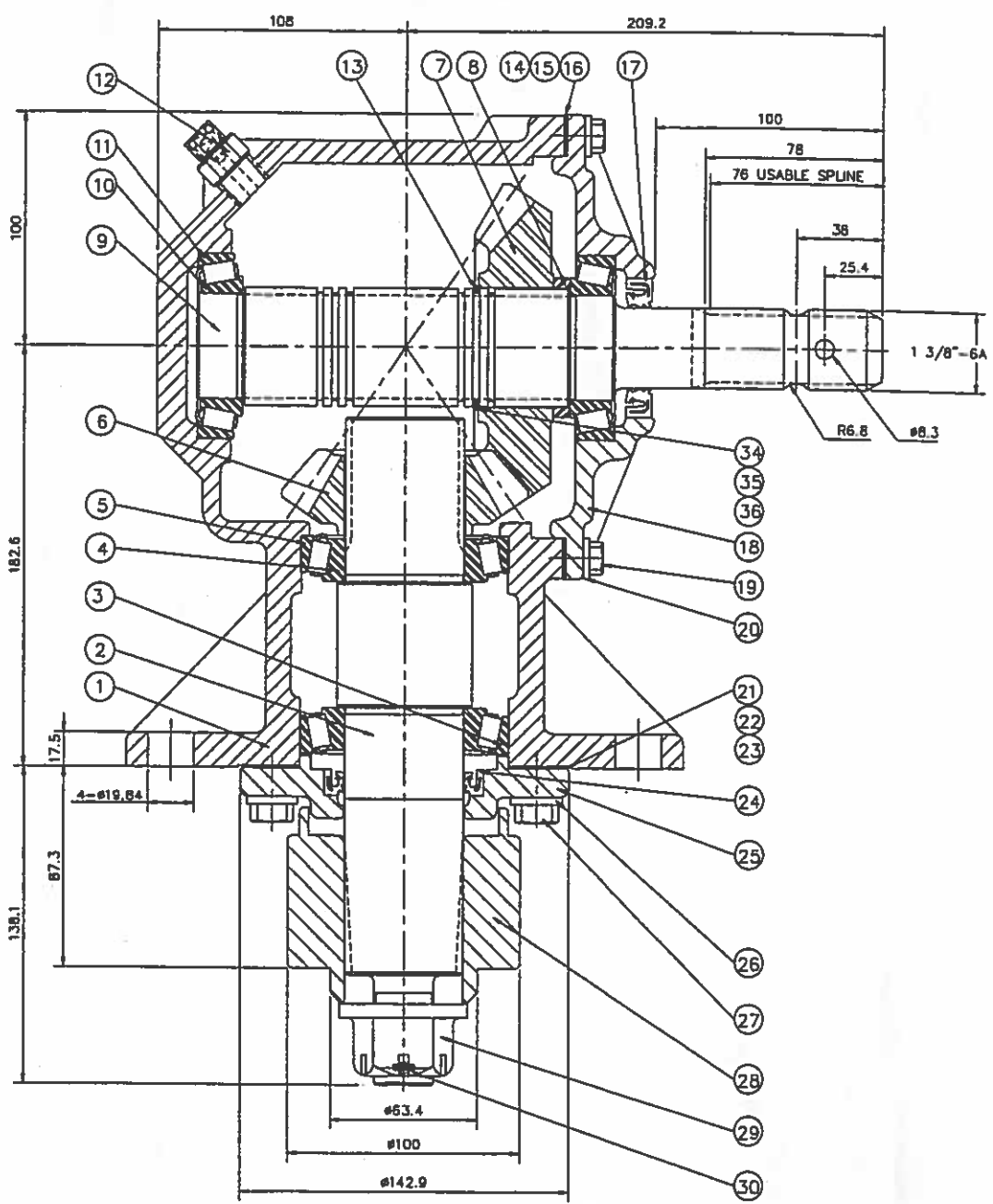
SCALE	ACAD REF. NUMBER	OMNI DWG. NUMBER	REV
NTS	25-1250372-Y	250372	-

CONFIRMED 9489-950100-BS

5' 6"

60 HP

SPLINE



TRADE SECRET -CONFIDENTIAL AND PROPRIETARY
EXCLUSIVELY OWNED BY OMNI USA, INC., 7502 MESA DRIVE,
HOUSTON, TEXAS 77028. ANY COPYING, USE OR DISCLOSURE
WITHOUT THE WRITTEN PERMISSION OF OMNI USA, INC. IS
STRICTLY PROHIBITED. THIS MATERIAL IS PROTECTED UNDER
TRADE SECRET AND UNFAIR COMPETITION LAWS. THE
EXPRESSION OF THE INFORMATION IS PROTECTED UNDER
FEDERAL COPYRIGHT LAWS. VIOLATIONS MAY RESULT IN
CIVIL AND CRIMINAL FINES AND PENALTIES.