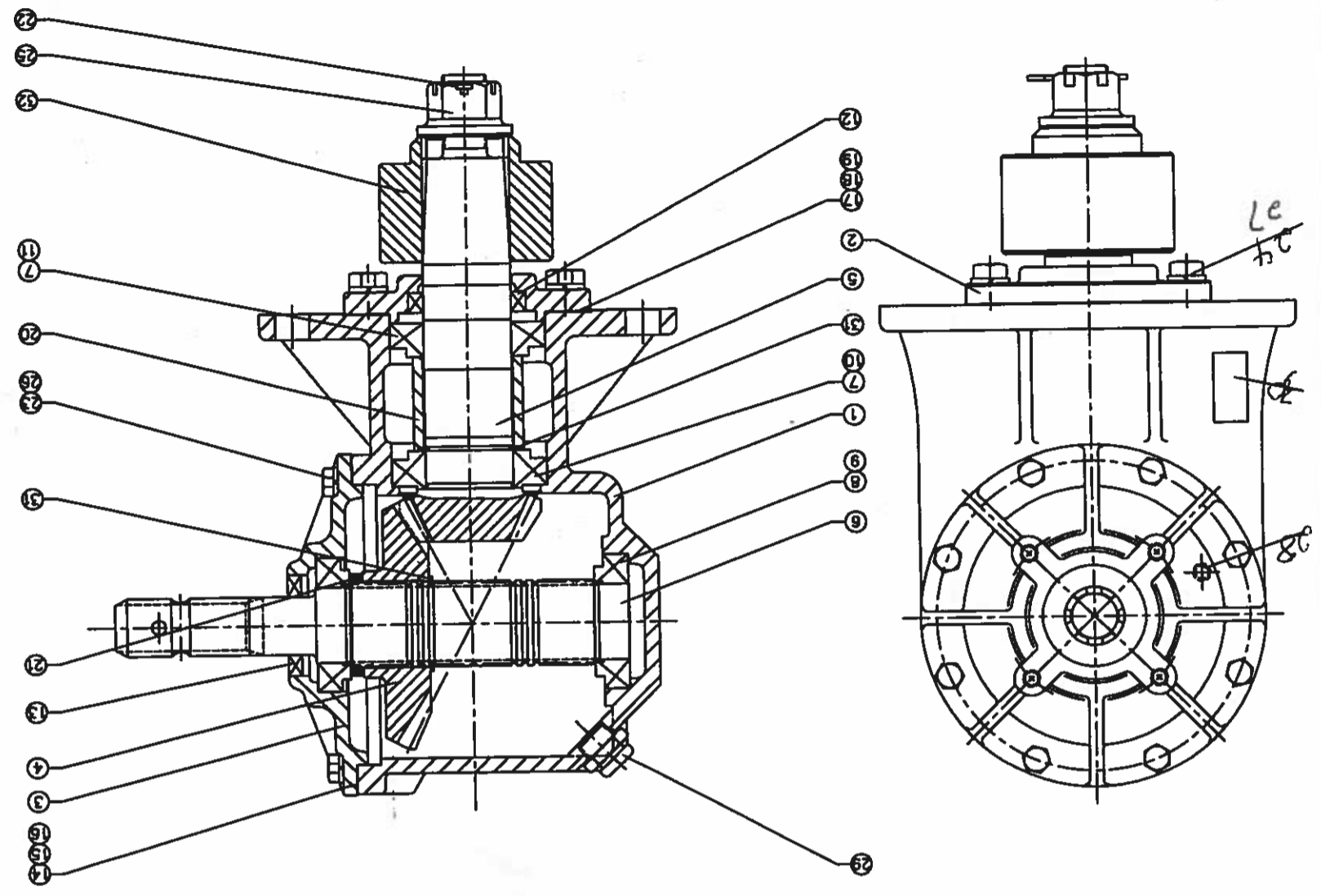




ALL DIMENSIONS ARE IN INCHES UNLESS OTHERWISE SPECIFIED  
 DIMENSIONS IN PARENTHESES ARE FOR REFERENCE ONLY  
 DIMENSIONS IN SQUARE INCHES ARE FOR REFERENCE ONLY

*Southern Pride  
 Right Box*



QTY.	DESCRIPTION
1	HOUSING
1	CAP, OUTPUT
1	CAP, THROUGH
1	GEAR, 28T
1	GEAR, 18T
1	SHAFT, INPUT
2	BEARING CONE-348
2	BEARING CONE-1483014
2	BEARING CUP-1483014
1	BEARING CUP-362
1	BEARING CUP-362
1	SEAL, OUTPUT
1	SEAL, INPUT
1	GASKET, 0.15mm
1	GASKET, 0.15mm
1	GASKET, 0.15mm
1	GASKET, 0.15mm
1	GASKET, 0.15mm
1	GASKET, 0.15mm
1	GASKET, 0.15mm
1	SPACER
1	SPACER
1	COLLAR PNL. 348
1	KEY CHAMFER 3/8"-16X1.5"
1	KEY CHAMFER 1/2"-16X1.5"
1	NUT
1	LOCK WASHER 3/8"
1	LOCK WASHER 1/2"
1	PLUG-PIN, 1/8"-27X1.5"
1	PLUG-PIN, 1/8"-27X1.5"
1	LD. TAG
2	RETAINING RING
1	BLADE HUB

QTY.	DESCRIPTION
1	HOUSING
1	CAP, OUTPUT
1	CAP, THROUGH
1	GEAR, 28T
1	GEAR, 18T
1	SHAFT, INPUT
2	BEARING CONE-348
2	BEARING CONE-1483014
2	BEARING CUP-1483014
1	BEARING CUP-362
1	BEARING CUP-362
1	SEAL, OUTPUT
1	SEAL, INPUT
1	GASKET, 0.15mm
1	GASKET, 0.15mm
1	GASKET, 0.15mm
1	GASKET, 0.15mm
1	GASKET, 0.15mm
1	GASKET, 0.15mm
1	GASKET, 0.15mm
1	SPACER
1	SPACER
1	COLLAR PNL. 348
1	KEY CHAMFER 3/8"-16X1.5"
1	KEY CHAMFER 1/2"-16X1.5"
1	NUT
1	LOCK WASHER 3/8"
1	LOCK WASHER 1/2"
1	PLUG-PIN, 1/8"-27X1.5"
1	PLUG-PIN, 1/8"-27X1.5"
1	LD. TAG
2	RETAINING RING
1	BLADE HUB

CONFIRMED 9730-900316-S  
 25-250402-Y  
 250402  
 08 APR 01  
 TITLE ASSEMBLY  
 RC-81 SERIES  
 (1:1)  
 08 APR 01

6040 172193 spline