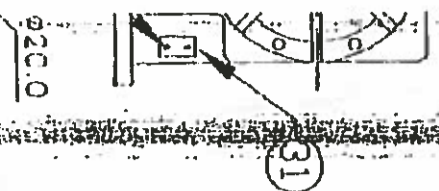


- 1) TAPPED HOLE IN INCH SYSTEM
- 2) TAPPED HOLE IN INCH SYSTEM
- 3) SHIM AS NECESSARY



34	240001	2	RIVET						
33	210001	1	BLADE HUB						
32	200003	1	RET. RING						
31	190028	1	I.D. TAG- 20MM X 50MM						
30	140033	1	PLUG- PRESSURE RELIEF. 1/2"-14NPTF						
29	140017	1	PIPE PLUG- SQ. HEAD. 1/8"-27NPTF						
28	130003	4	LOCKWASHER- 1/2" SPLIT TYPE						
27	130002	8	LOCKWASHER- 3/8" SPLIT TYPE						
26	120050	1	NUT- HEX SLOTTED. 1"-14UNC						
25	110002	4	SCREW- HEX CAP. 1/2"-13UNC. GR 5						
24	110001	8	SCREW- HEX CAP. 3/8"-16UNC. GR 5						
23	100001	1	COTTER PIN- 5 X 50						
22	090073	VAR	SHIM- .25						
21	080055	1	SPACER- 1:1.46 & 1:1.93 GEAR SET						
20	070145	VAR	GASKET- OUTPUT CAP. 0.10						
19	070144	VAR	GASKET- OUTPUT CAP. 0.15						
18	070143	VAR	GASKET- OUTPUT CAP. 0.30						
17	070142	VAR	GASKET- INPUT CAP. 0.10						
16	070141	VAR	GASKET- INPUT CAP. 0.15						
15	070140	VAR	GASKET- INPUT CAP. 0.30						
14	060005	1	SEAL- 2 LIP. NATIONAL 473215						
13	060004	1	SEAL- 2 LIP. NATIONAL 471883						
12	050015	1	BEARING CUP- 362						
11	050014	1	BEARING CUP- 362A						
10	050013	2	BEARING CUP- LM603014						
9	050012	2	BEARING CONE- LM603049						
8	050008	2	BEARING CONE- 368						
7	040135	1	SHAFT- INPUT 1 3/8"-6A						
6	040112	1	SHAFT- OUTPUT. STANDARD						
5	030039	1	GEAR- 19T. INPUT						
4	030038	1	FINION- 13T. OUTPUT						
3	020162	1	CAP- INPUT						
2	020005	1	CAP- OUTPUT						
1	010150	1	HOUSING						

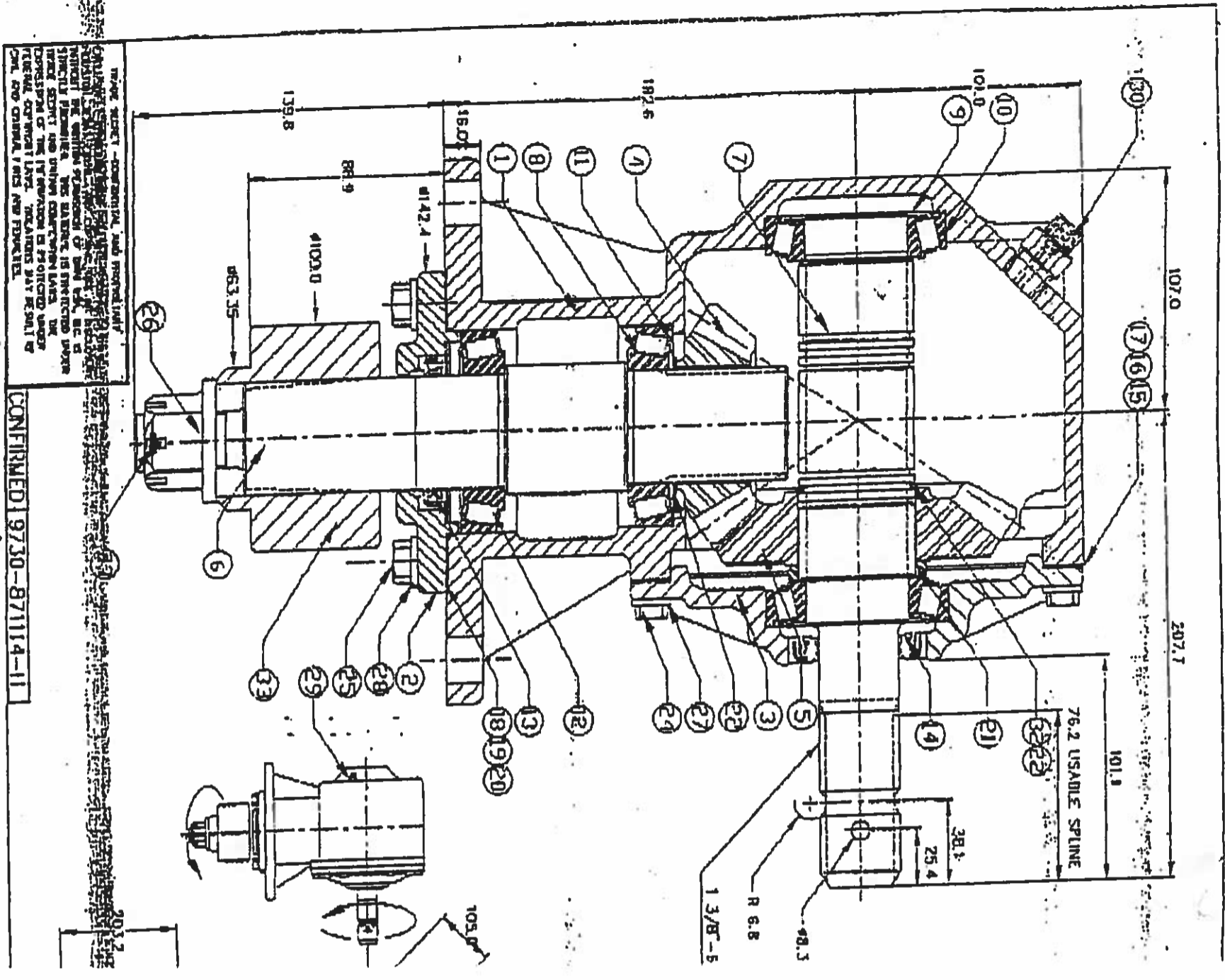


OMNI GEAR

ALL DIMENSIONS IN MM	SCALE	MATERIAL	WEIGHT (GRAMS)	BRAN BY DLS
TOLERANCES (EXCEPT AS NOTED)	NONE			APPROVED BY
DECIMAL	RC-71	REFERENCE NUMBER ORIGINAL FOR ASSEMBLY	DATE	
ANGULAR			4-3-96	
MACHINE FINISH	Y	TITLE RC-71 1:1.46 STD. INPUT-1.375"-6A SPLINE OUTPUT-STD BLADE HUB	PART NUMBER 250492	REV

RC71 5.46' 6049
Omni Spline # 250492

PLANT/WORKSHOP CD 9-23-92/125 125/125 125/125



PC 71 SPLIN 5
 250492