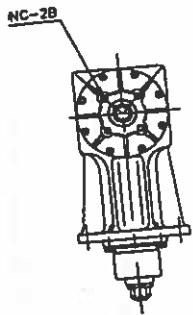




REVISIONS

SYMBOL	DESCRIPTION	DATE & PERSON
--------	-------------	---------------

DET	PART #	QTY	DESCRIPTION
39	240001	2	RIVET
38	210015	1	BLADE HUB
37	200003	1	RET. RING
36	190028	1	I.D. TAG
35	140033	1	PLUG, PRESSURE RELIEF
34	140017	1	PIPE PLUG, SQ. HEAD 1/8"
33	130104	4	WASHER M14
32	130060	8	WASHER M10
31	120050	1	NUT
30	110191	4	BOLT M14x35
29	110190	8	BOLT M10x30
28	100001	1	COTTER PIN 5x50
27	090175	VAR	SHIM 0.30
26	090174	VAR	SHIM 0.15
25	090173	VAR	SHIM 0.10
24	090172	VAR	SHIM 0.30
23	090171	VAR	SHIM 0.20
22	090170	VAR	SHIM 0.10
21	090015	2	SPACER
20	070145	VAR	GASKET, OUTPUT CAP 0.10
19	070144	VAR	GASKET, OUTPUT CAP 0.15
18	070143	VAR	GASKET, OUTPUT CAP 0.30
17	070142	VAR	GASKET, INPUT CAP 0.10
16	070141	VAR	GASKET, INPUT CAP 0.15
15	070140	VAR	GASKET, INPUT CAP 0.30
14	060051	1	OIL SEAL
13	060004	1	OIL SEAL
12	050015	1	BEARING CUP, 362
11	050014	1	BEARING CUP, 362A
10	050013	2	BEARING CUP, LM603014
9	050012	2	BEARING CONE, LM603049
8	050008	2	BEARING CONE, 368
7	040146	1	SHAFT, INPUT
6	040034	1	SHAFT, OUTPUT
5	030041	1	GEAR, OUTPUT 14T
4	030040	1	GEAR, INPUT 17T
3	020162	1	CAP, INPUT
2	020005	1	CAP, OUTPUT
1	010006	1	HOUSING



GEAR


U M N I


TITLE ASSEMBLY
 1:1.21
 RC-81 SERIES

DRAWN BY ZHH
 APPROVED BY
 DATE 23 SEPT 97

SCALE NTS
 ACAD REF. NUMBER 25-250435-S
 DWTI DWG. NUMBER 250435
 REV -

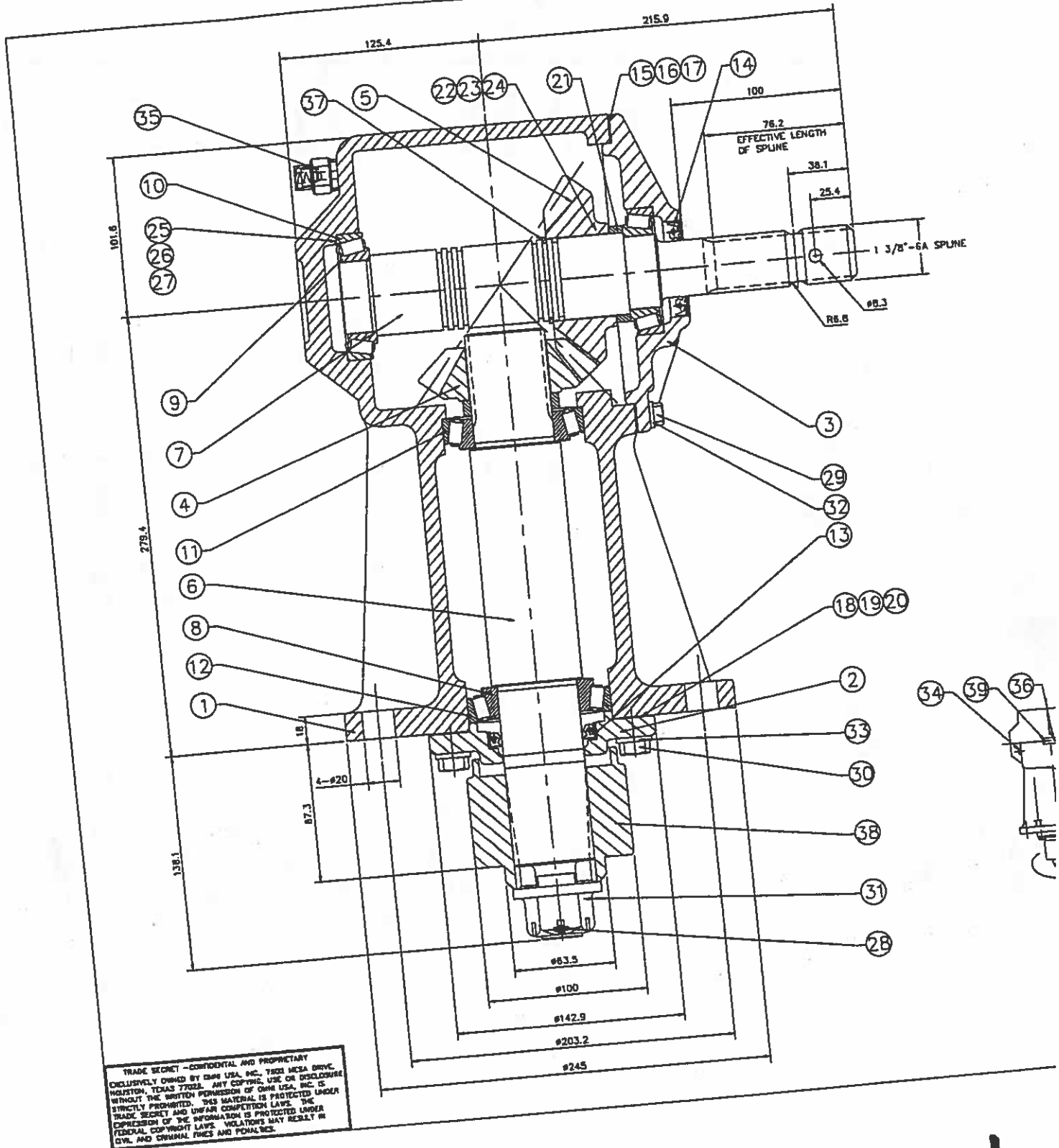
CONF IR 0489-9604

RC 81

017' RC 81

I:\Users\ACADDR\MSOG CD 6-1-07\SO

1:1.21



7: 17 A hr