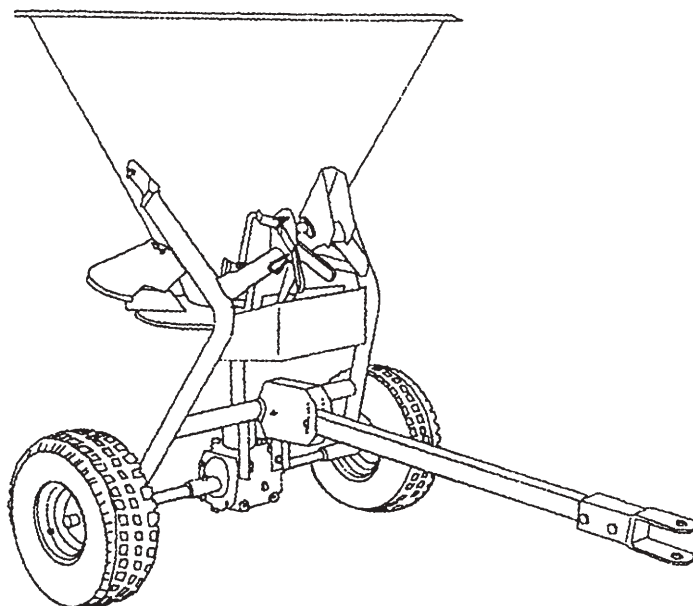


# BALTIMATIC® PULL TYPE SPREADER 5 BUSHEL



## Instruction & Spare Parts



**BALTIC KORN A/S**

KÄHLERSBAKKEN 14, DK-4700 NAESTVED  
DENMARK  
PHONE: (45) 55 73 07 77. FAX: (45) 55 73 07 89

E-mail: [baltic@baltimatic.com](mailto:baltic@baltimatic.com)



# DANGER



BALTIC KORN A/S · DK-4700 NÆSTVED · DENMARK  
E-mail: baltic@baltimatic.com

## HAZARDOUS MOVING PARTS

1. Stop tractor and PTO before unclogging servicing or performing maintenance.
2. PTO shaft, agitator, scraper, and distribution disc can entangle clothing and cause serious injury.
3. Do not place hands or objects into the hopper with the spreader/seedler operating.
4. Do not allow riders on this equipment.

**SERIOUS INJURY OR DEATH  
MAY RESULT.**

***Attention:*** Check all bolts for tightness and grease before using the machine  
Check bolts for tightness after 30 minuts the first time used.  
Check all bolts for tightness and grease before each additional use.

---

BALTIC KORN A/S.Kaehlersbakken 14.DK-4700 Naestved.Denmark.  
Phone:+45 55 73 07 77.Fax:+45 5573 07 89. e-mail: baltic@baltimatic.com

# 1.

## I. Application.

Pull type spreader is adjusted for work with small tractors, ATV's, cars rear hitch.

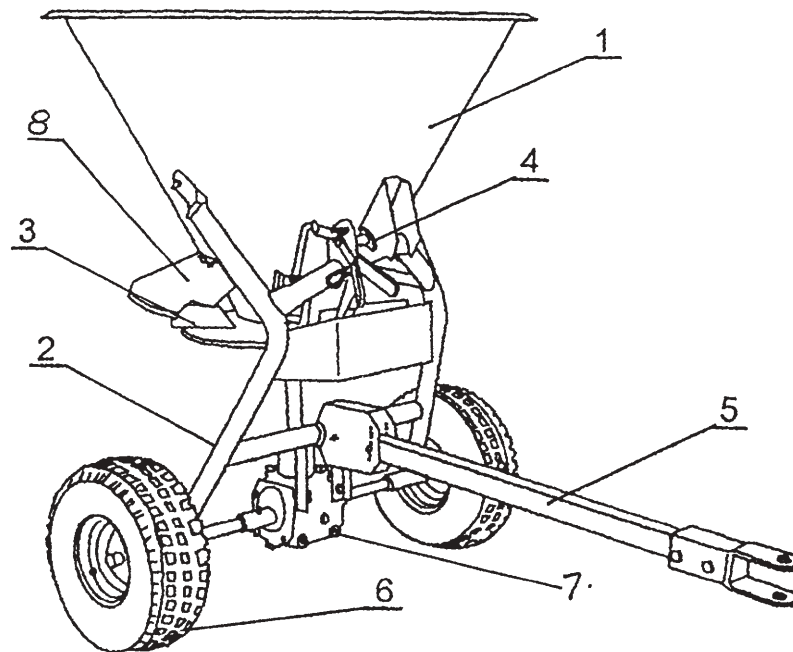
It is designed for surface spreading of granulated and powdered materials in fruit gardens, gardens, golf fields and small farms.

## II. Technical data.

1. Capacity of hopper	160 l	5 bushels
2. Working width		
- for granulated fertilizers	8 m	24'
- for powders fertilizers	5 m	15'
- for seeds	5-8 m	15'-25'
3. Spacing of axle wheels	850 mm	33"
4. Rotation of discs rpm (at speed 6,3 miles/h – 10 km/h)		450 rpm
5. Number of spreading discs		1 pce
6. Number of vanes		4 pcs
7. Distance between axle of spreader and eye of drawbar	1100 mm	43"
8. Measurements		
- width	1020 mm	40"
- height	1200 mm	47"
- length	1575 mm	62"
9. Diameter of hole of eye of drawbar	25 mm	2"
10. Weight	64 kg	140 lbs

2.

**III. Description of construction and work.**



Drawing no. 1.

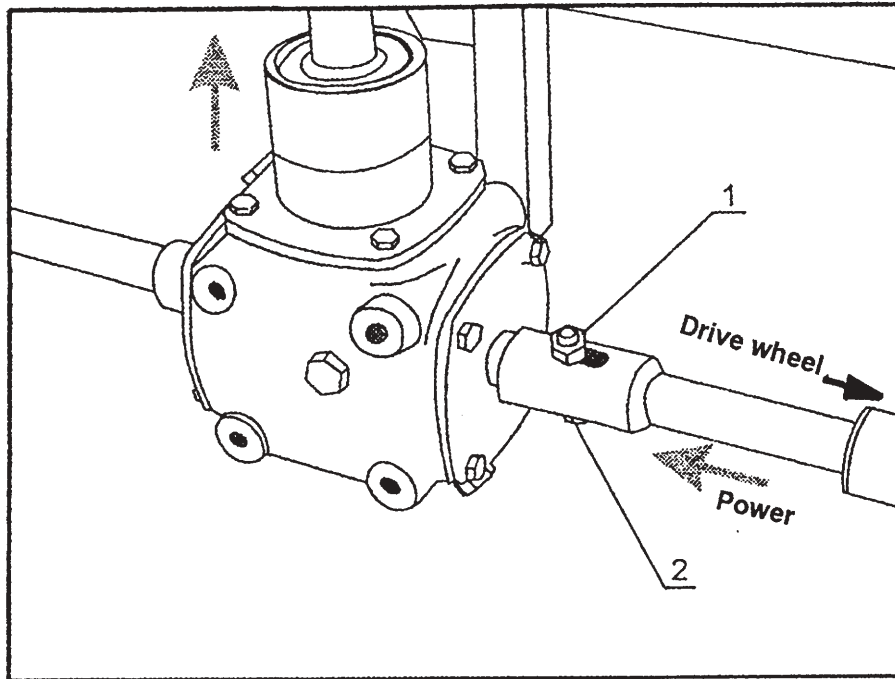
Pull type spreader consists of the following elements:

- 1- hopper
- 2- frame
- 3- spreading disc
- 4- spreading adjustment for regulation of q-ty of spreading material
- 5- drawbar
- 6- 2 pcs wheels
- 7- gearbox
- 8- winddrift shield

3.

*2. Description of construction.*

Hopper is a one pce hopper without seams conical in shape.  
Frame is made from profiled pipes. To frame are fixed all assemblies of spreader. See drawing no. 2.  
Working mechanisme on the spreader is ground driven.  
Power to the spreading disc and scraper is transmitted from the right side wheel through the gearbox. Drawing no. 2.



Drawing no. 2.

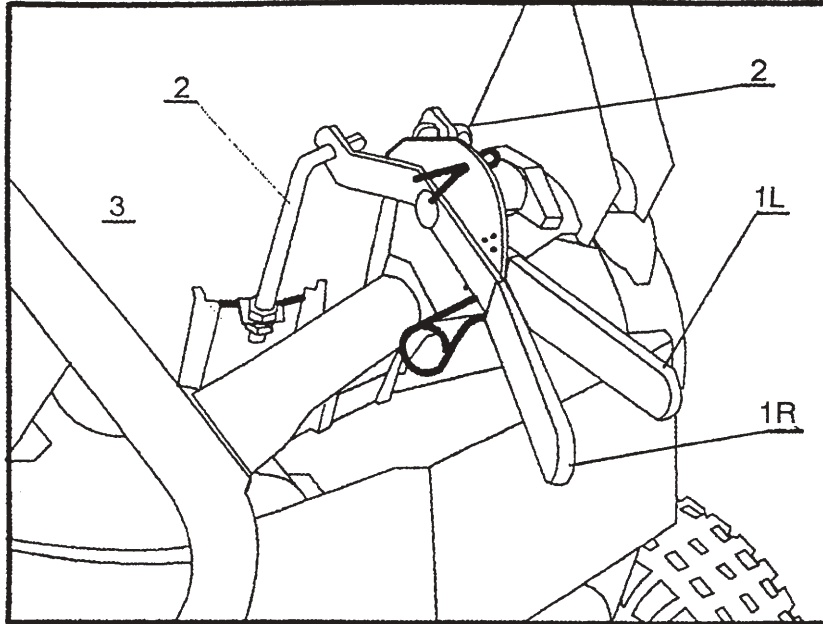
In order to disconnect drive – nut should be unscrewed pos. 1 draw. 2  
and bolt take out pos. 2 draw. 2.

For longer transport distances it is adviseable to disconnect drive and  
thereby spreading disc.

4.

### 3. Dosing mechanism.

For dosing regulation of quantity of material there are two levers pos. 1L and 1R draw. 3 which via pull rod pos. 2 is changing position of dampers, pos. 3 draw. 3. Thereby the sizes of dosing holes is adjustable.



Drawing no. 3.

The change of position of dampers cause change of spreading material. Setting up the quantity of spreading material should be done according to spreading seed chart.

Asymetrical spreading leftside (when looking to direction of drive) you can obtain by closing left damper – by lever 1L draw. 3.

Asymetrical spreading rightside you can obtain by closing damper – lever 1R draw. 3.

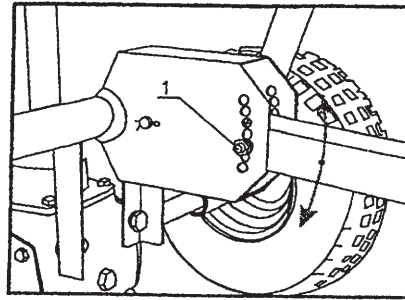
Symetrical spreading you will obtain when you simultaneously open both dampers left and right by using levers 1R and 1L draw. 3.

It is recommended initially adjustment of dampers upto symetrical spreading and then correct dependly on need.

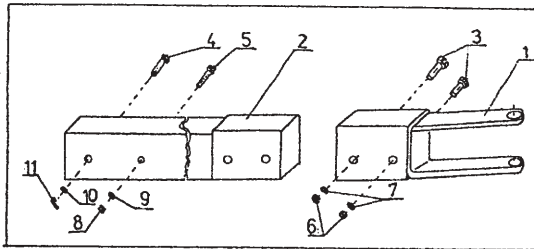
5.

#### 4. Drawbar.

For connection spreader with tractor/car/truck is used drawbar pos. 5 draw. 1. Angel on drawbar can be regulated – for that purpose there is pin pos. 1 draw. 4 and holes in hitch of frame.



Drawing no. 4

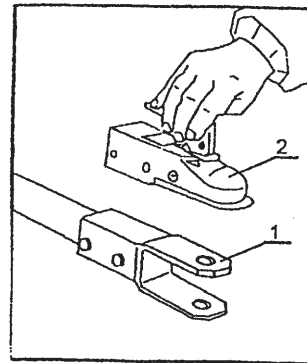


Drawing no. 5.

#### REMARK.

Drawbar of spreader is in standard version equipped with the hitch as a bolted clevis hitch pos. 1 draw. 5.

Depending on need – user can dismount clevis hitch and mount special hitch for trailers.  
Pos. 2 draw. 6. Bolt pattern for the bolted clevis hitch is same as bolt pattern for trailer hitch.



Drawing no. 6.

6.

*5. Technical service.*

In order to insure the proper work and in order to avoid damages of machines, it is necessary before work to check:

- bolt connections
- that spreading discs and vanes are firmly mounted
- condition of wheel type agitator
- pressure in tyres (0,15 MPa)
- level of oil in gearbox (0,5 l) gearbox oil PL
- that geardrive is working
- grease the spreader at the greasing points.

*6. Control after work.*

Every time after work should be done:

- empty hopper from spreading material clean and wash
- check and improve fixing of working assemblies.

oooooooo000oooooooo



## Seed chart lbs/acre.

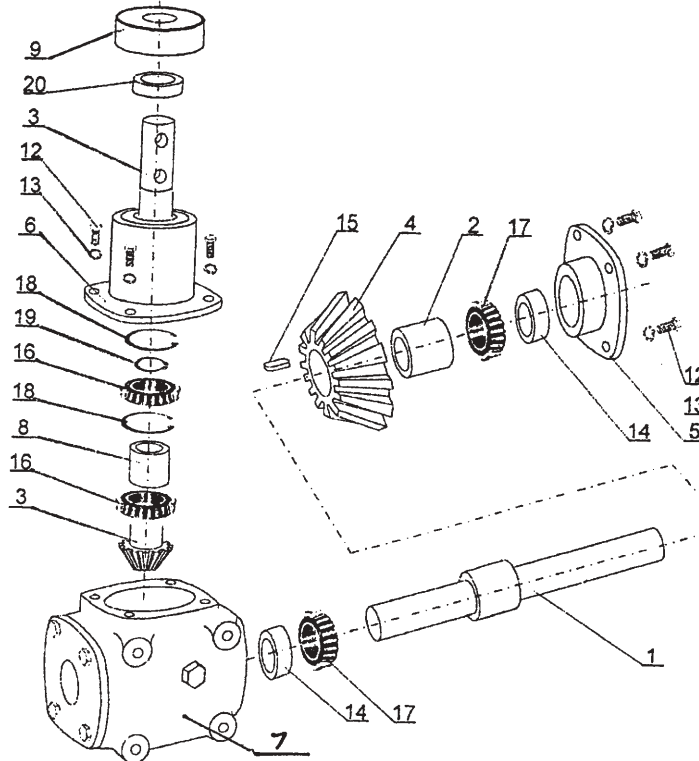
Material	Spreading width feed	SETTING.											Speed miles/h
		4	5	6	7	8	9	10	11	12	13	14	
Ammonium Nitrate	26'	119 67	230 131	341 194	450 257	559 318	668 381	776 442	904 515	1031 587	1257 660	1284 731	3 6
UREA	26'	72 40	160 91	249 141	334 190	420 240	519 296	618 353	714 407	809 460	904 515	999 569	3 6
Granulated Superphosphat	26'	82 47	169 96	255 146	382 217	507 289	626 357	745 416	942 528	1139 650	1337 762	1534 875	3 6
Potassium Salt	13'			262 150	872 500	1490 849	1839 935	2187 1246	1382	1653	1653	1788	3 6
Rye	26'	89 50	173 98	256 146	338 193	419 239	501 286	582 332	768 386	773 440	943 495	963 548	3 6
Wheat	26'	71 40	138 79	205 116	270 154	335 191	401 229	466 265	542 309	619 352	754 396	770 439	3 6
Rice	26'	144 81	278 159	413 234	545 311	676 385	808 461	939 535	1094 623	1248 710	1521 799	1554 885	3 6
Sudan Grass	26'	95 54	184 105	273 155	360 206	447 254	543 305	621 354	723 412	825 470	1006 528	1029 585	3 6
Lespedeza	26'	56 32	109 62	161 91	212 122	264 150	315 180	366 209	427 243	487 277	594 312	607 310	3 6

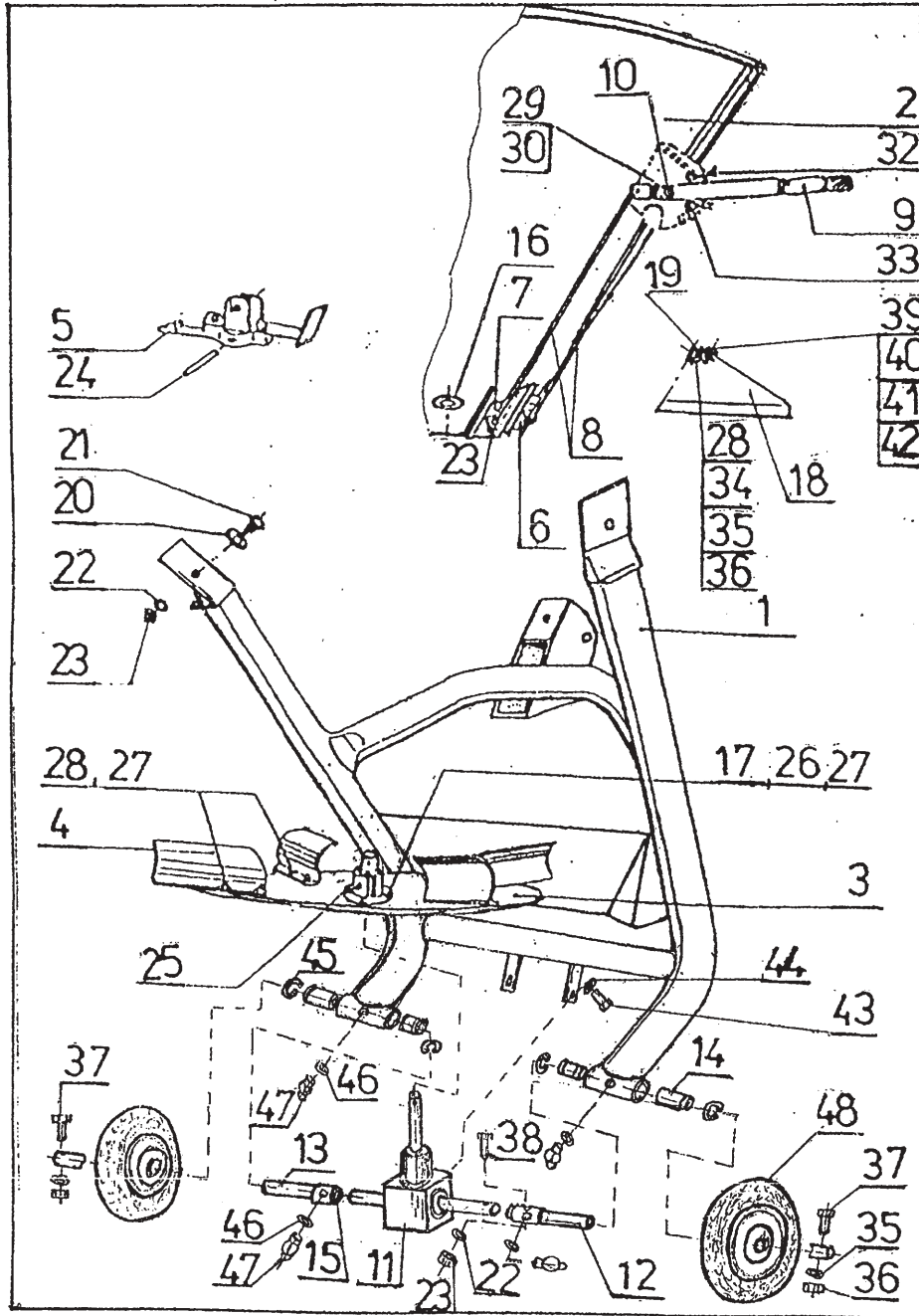
## Seed chart kg/ha.

Material	Spreading width (m)	SETTING											Speed km/h
		4	5	6	7	8	9	10	11	12	13	14	
Ammonium Nitrate	8	106	205	304	402	499	596	693	807	920	1033	1146	5
		60	117	173	229	284	340	395	460	524	589	653	10
UREA	8	64	143	222	298	375	463	552	637	722	807	892	5
		36	81	126	170	214	264	315	363	411	460	508	10
Granulated Superphosphat	8	73	151	228	341	453	559	665	841	1017	1194	1370	5
		42	86	130	194	258	319	3719	471	580	680	781	10
Potasium Salt	4			234	783	1330	1642	1952					5
				134	446	758	835	1112	1234	1354	1476	1596	10

**PULL TYPE SPREADER GEARBOX COMPLETE.**

Pos. No.	Description	Part Number	Qty.
1	Gearbox complete	RS/02-007/0	1
2	Horizontal shaft	RS/02-001/0	1
3	Spacing sleeve	RS/02-002/0	1
4	Gear shaft	RS/02-003/0	1
5	Gearwheel	RS/02-004/0	1
6	Cover complete	RS/02-005/0	2
7	Housing for bearing	RS/02-006/0	1
8	Body	0500/01-001	1
9	Spacing sleeve	2029/06-005/0	1
10	Gearbox cover	2042/00-005/0	1
11			
12	Bolt N8x20-5.8-B Fe/Zn12 c	PN-85/M-82105	12
13	Spring washer Z8.2 Fe/Zn 12c	PN-77/M-82008	12
14	Sealing ring A25x40x7	PN-72/M-86964	2
15	Prism key 8x7x25	PN-77/M-85005	1
16	Ball bearing 6007	PN-86/M-86100	2
17	Taper bearing 30205	PN-86/M-86200	2
18	Circlip W 62	PN-81/M-85111	2
19	Circlip z 35	PN-81/M-85111	1
20	Sealing ring A35x62x7	PN-72/M-86964	1





Pos. No.	Description	Part Number	Qty.
1	Frame complete welded	RS/01-00-000	1
2	Hopper	RS/04-00--00	1
3	Spreading plate	2042/08-00-001	1
4	Vane	2042/08-00-002	1
5	Belt stretcher	2029/04-00-002/0	1
6	Left damper	2029/00-00-005	1
7	Right damper	2029/00-00-006	1
8	Regulation lever	2042/00-00-003	2
9	Damper lever	2042/00-00-004	2
10	Epileptic knob	2029/00-05-00	1
11	Gearbox complete	RS/02-00-000	1
12	Right axle shaft (half shaft)	RS/00-00-100	1
13	Left axle shaft (half shaft)	RS/00-00-200	1
14	Bearing sleeve	RS/00-00-001	4
15	Axle shaft sleeve	RS/00-00-002	2
16	Spacing washer	2029/00-00-007	1
17	Hub plate	2029/07-00-002	1
18	Cover plate	2012/00-00-003	1
19	Cover support	2012/00-00-009	3
20	Special washer	2042/00-00-007	3
21	Bolt	PN-89/M-82406	3
22	Spring washer	PN-77/M-82008	4
23	Nut	PN-86/M-82144	8
24	Spring pin/rolled pin	PN-89/M-85023	1
25	Spring pin/rolled pin	PN-89/M-85023	1
26	Bolt	PN-85/M-82105	4
27	Selflocking nut	PN-85/M-82175	12
28	Bolt	PN-85/M-82105	11
29	Bolt	PN-89/M-82406	1
30	Washer	PN-78/M-82005	1
32	Split pin	PN-ISO/7072	1
33	Split pin	PN-76/M-82001	1
34	Round washer	PN-78/M-82005	3
35	Spring washer	PN-77/M-82008	5
36	Nut	PN-86/M-82144	5
37	Bolt	PN-85/M-82101	2
38	Bolt	PN-85/M-82101	1
39	Bolt	PN-78/M-82105	3
40	Round washer	PN-78/M-82105	3
41	Spring washer	PN-78/M-82008	3
42	Nut	PN-86/M-82144	3
43	Bolt	PN-85/8-82-105	2
44	Spring washer	PN-78/M-82008	2
45	Compression ring	PN-81/04-85111	4
46	Fibreboard gasket	PN-69/M-86970	4
47	Grease nipple	PN-76/M-86002	4
48	Rubber wheel		2



**BALTIC KORN A/S**

KÄHLERSBAKKEN 14, DK-4700 NAESTVED  
DENMARK  
PHONE: (45) 55 73 07 77. FAX: (45) 55 73 07 89

E-mail: [baltic@baltimatic.com](mailto:baltic@baltimatic.com)

# *Parts*

BALTIC PARTS DISTRIBUTOR

**NORTH AMERICA**  
***Global Parts Supply***



Mailing Address:  
P.O.Box 733  
Hermitage, TN 37076  
USA

Shipping Address:  
3710 Plantation Drive  
Hermitage, TN 37076  
USA

Telephone: 615/884-8733. Fax: 615/884-8725.

E-mail: [globalpartssupply@yahoo.com](mailto:globalpartssupply@yahoo.com)

Toll-free parts order line:

**1-888-914-0777**